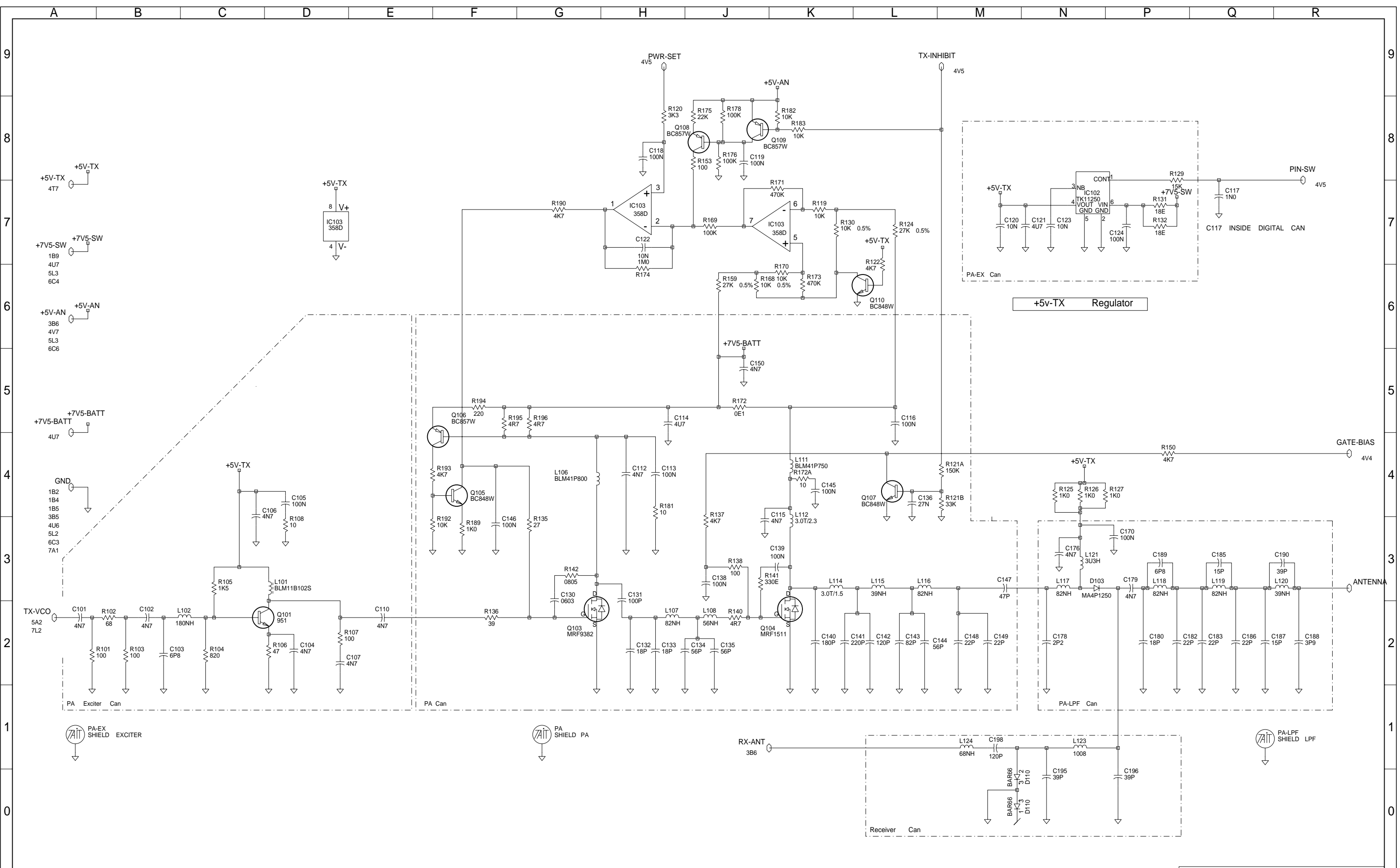


03B	CCO NO. 1616-005	BRD			05-11-99
03A	LAYER 3 GND ISO FOR DGND	BRD			07-10-99
02A	1616/002 VCO DOUBLER ADDED	BRD			06-10-99
01A	FIRST 66-88 MHZ	BRD			21-09-99
REV/ISS	AMENDMENTS	DRAWN	CHKD	D.O.	APVD DATE

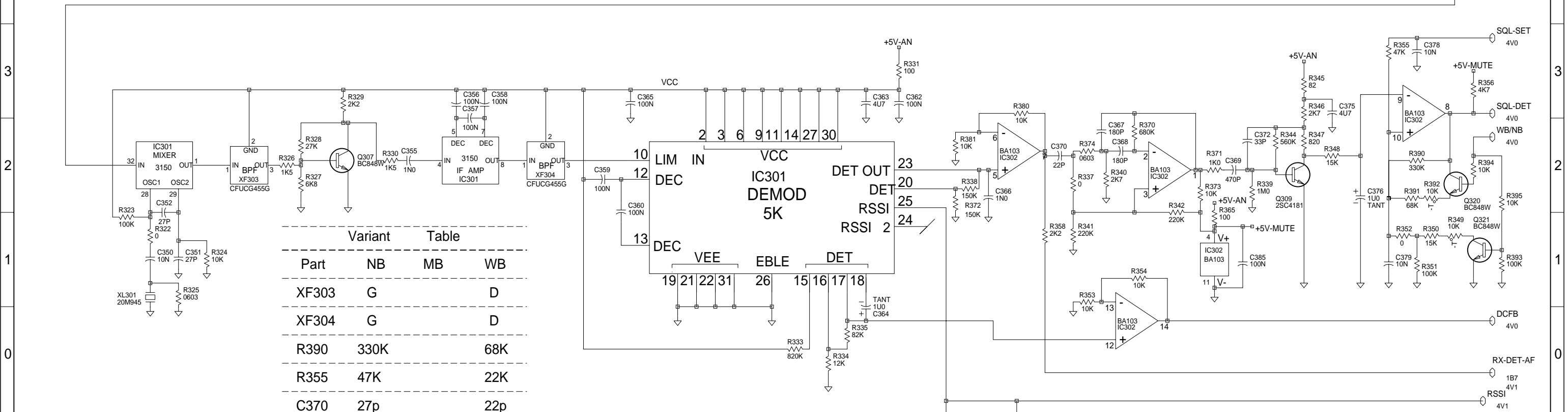
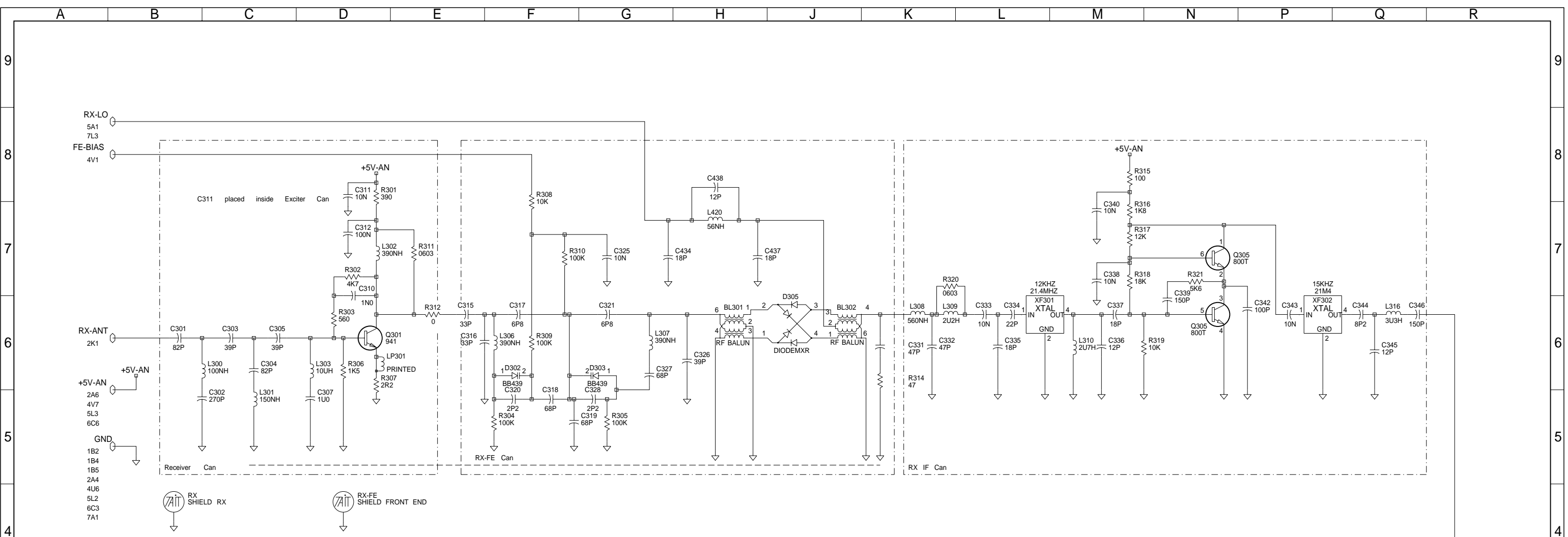
**SUB-VHF**  
Tait Orca

© TAIT ELECTRONICS	
ORCA :	66-88MHZ
SYSTEM DIAGRAM	
IPN: 220-01616-03	ISSUE: B
DESIGNER: TAIT ORCA	FILE NAME: BRD
DATE: 29-Nov-99	NO. SHEETS: 7



03B	CCO NO. 1616-005	BRD			05-11-99
REV/ISS	AMENDMENTS	DRAWN	CHKD	D.O.	APVD DATE

© TAIT ELECTRONICS  
 ORCA : 66-88MHZ POWER AMPLIFIER  
 IPN: B ISSUE: 2.S.C. 2  
 PROJECT: 220-01616-03 DESIGNER: TAIT ORCA BRD FILE NAME: 161603b FILE DATE: 29-Nov-99 NO.SHEETS: 7

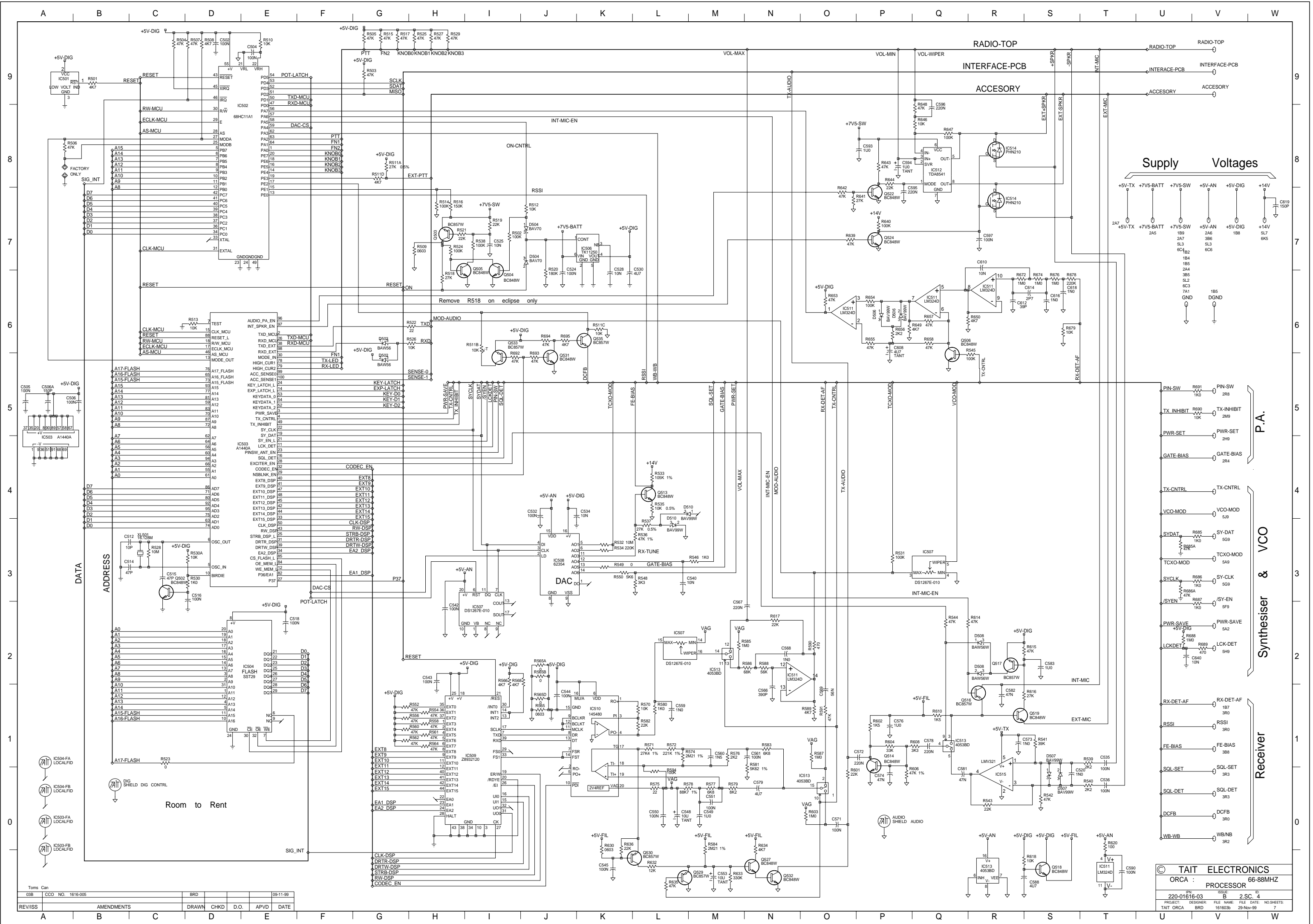


Variant Table

Part	NB	MB	WB
XF303	G		D
XF304	G		D
R390	330K		68K
R355	47K		22K
C370	27p		22p
C369	470p		330p

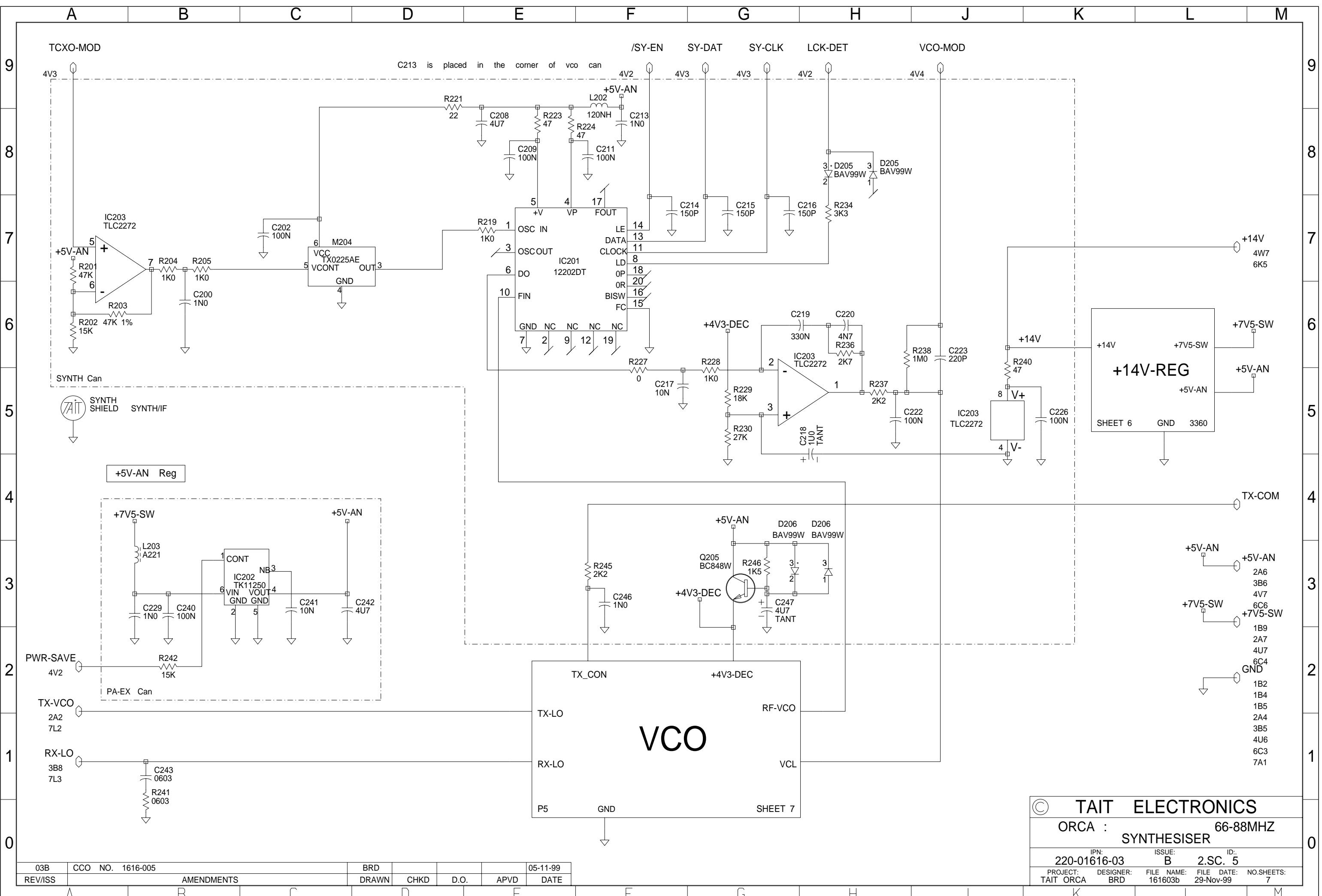
© TAIT ELECTRONICS  
 ORCA : RECEIVER 66-88MHZ  
 IPN: 220-01616-03 ISSUE: B 2.S.C. 3  
 PROJECT: TAIT ORCA BRD DESIGNER: 161603b FILE NAME: 29-Nov-99 NO.SHEETS: 7

03B	CCO NO. 1616-005	BRD			05-11-99
REV/ISS	AMENDMENTS	DRAWN	CHKD	D.O.	APVD DATE



Room to Rent

REV/ISS	AMENDMENTS	DRAWN	CHKD	D.O.	APVD	DATE
038						09-11-99



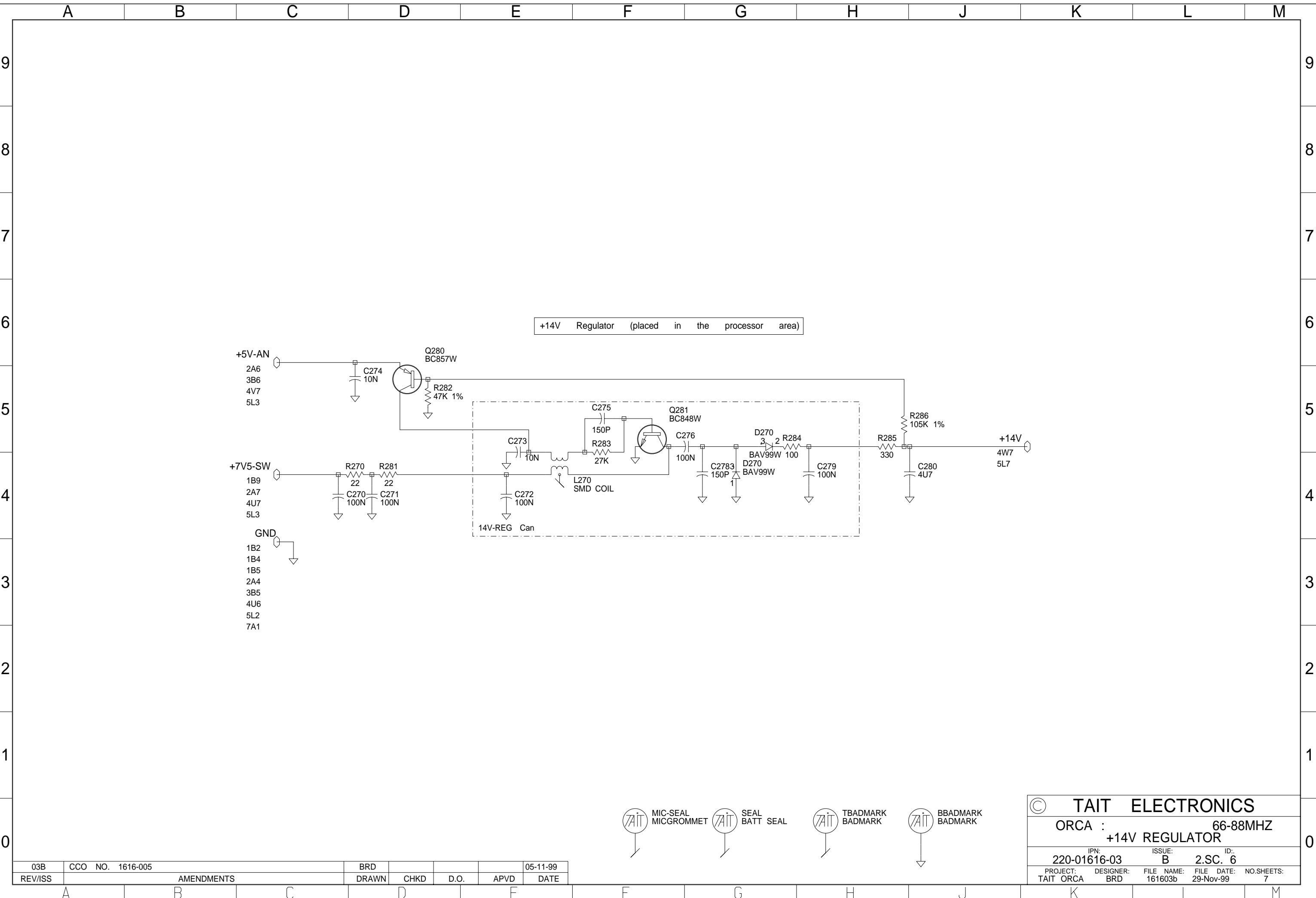
C213 is placed in the corner of vco can

**+14V-REG**

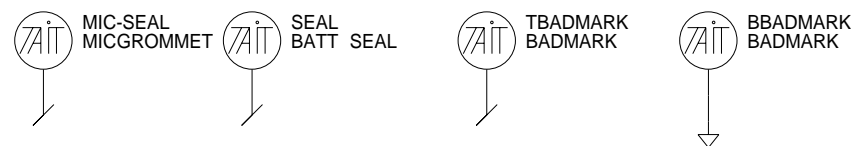
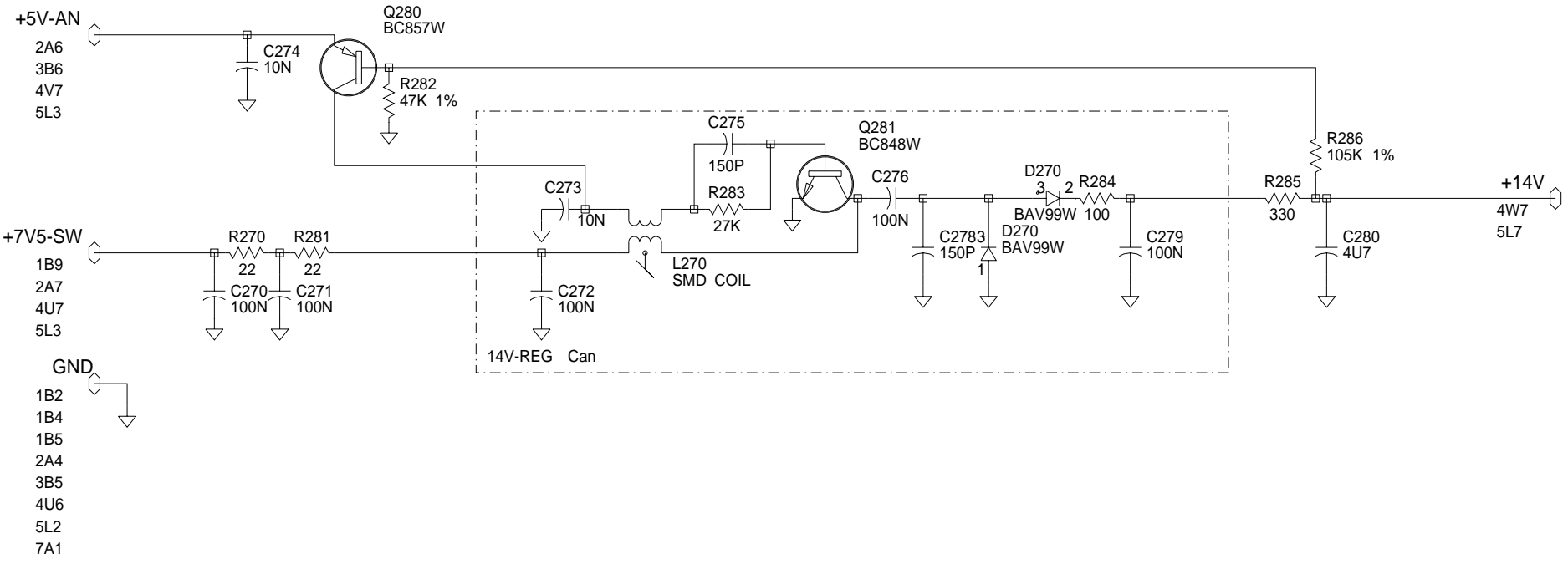
**VCO**

© TAIT ELECTRONICS	
ORCA :	66-88MHZ
SYNTHESISER	
IPN: 220-01616-03	ISSUE: B
DESIGNER: TAIT ORCA	DATE: 29-Nov-99
FILE NAME: 161603b	NO.SHEETS: 7

03B	CCO NO. 1616-005	BRD	CHKD	D.O.	APVD	05-11-99
REV/ISS	AMENDMENTS	DRAWN				DATE

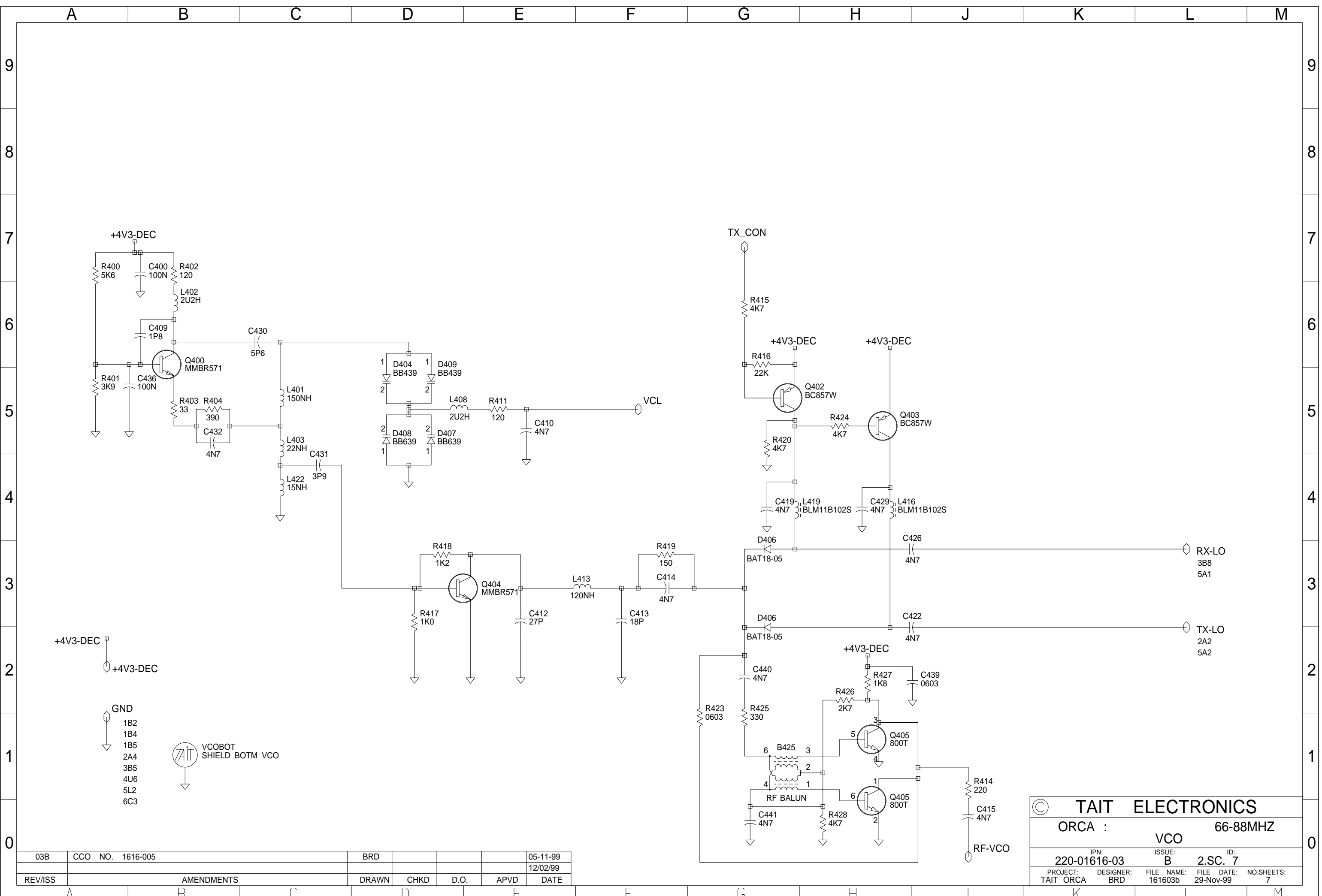


+14V Regulator (placed in the processor area)



© TAIT ELECTRONICS	
ORCA : 220-01616-03	66-88MHZ +14V REGULATOR
IPN: B	ID: 2.SC. 6
PROJECT: TAIT ORCA	DESIGNER: BRD
FILE NAME: 161603b	FILE DATE: 29-Nov-99
NO.SHEETS: 7	

03B	CCO NO. 1616-005	BRD				05-11-99
REV/ISS	AMENDMENTS	DRAWN	CHKD	D.O.	APVD	DATE



+4V3-DEC  
+4V3-DEC

- GND
- 1B2
  - 1B4
  - 1B5
  - 2A4
  - 3B5
  - 4U6
  - 5L2
  - 6C3

VCOBOT SHIELD BOTM VCO

03B	CCO NO. 1616-005	BRD			05-11-99
REV/ISS	AMENDMENTS	DRAWN	CHKD	D.O.	APVD DATE
					12/02/99

© TAIT ELECTRONICS

ORCA : VCO 66-88MHZ

IPN: 220-01616-03 ISSUE: B ID: 2.SC. 7

PROJECT: TAIT ORCA DESIGNER: BRD FILE NAME: 161603b FILE DATE: 29-Nov-99 NO.SHEETS: 7